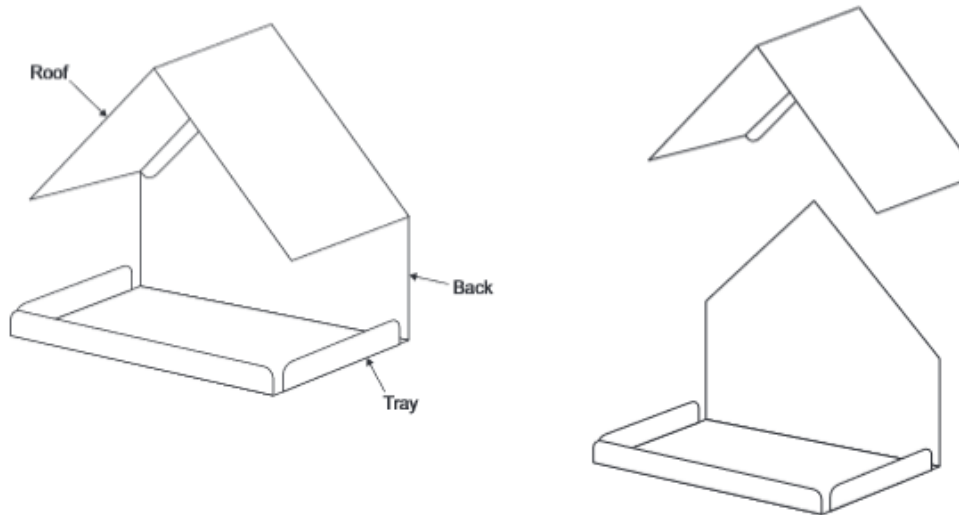
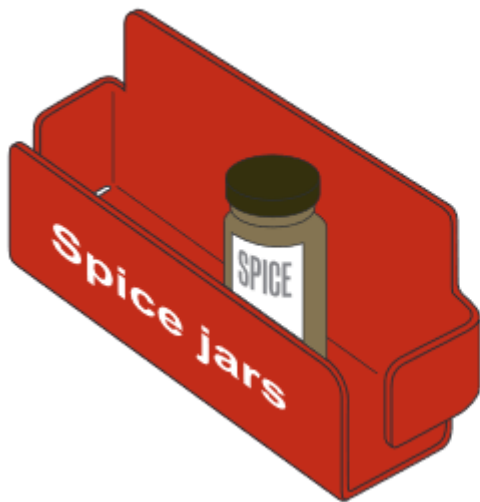


Making and Sketching Questions

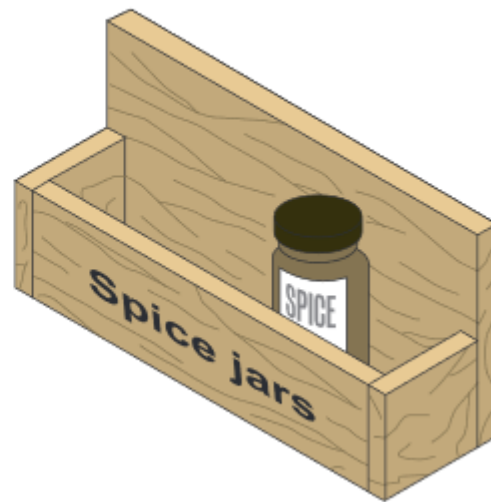


1. Use notes and sketches to show clearly how you would make a batch of ten garden bird feeders in a school workshop. At each stage name all the tools, equipment and software you would use. (16)
 - a. Marking out or Computer Aided Design
 - b. Cutting and Shaping or Computer Aided Manufacture
 - c. Bending/Forming the tray/back
 - d. Joining the roof to the back

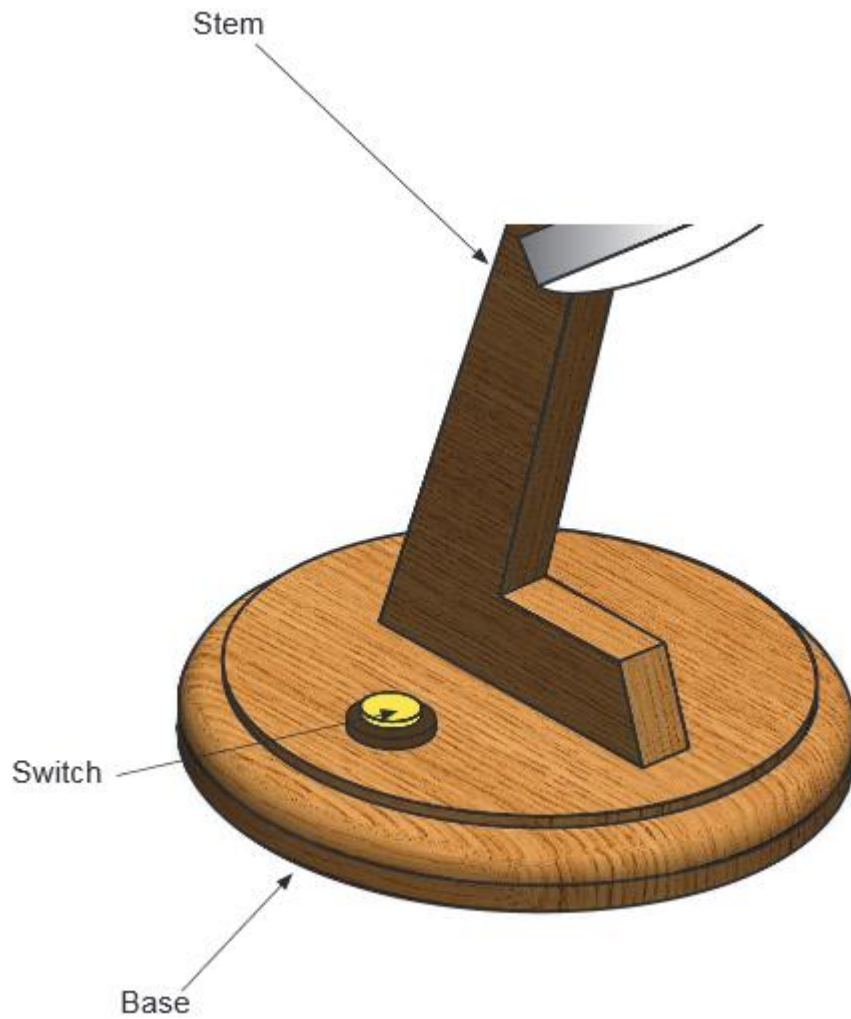
A plastic or metal spice jar holder



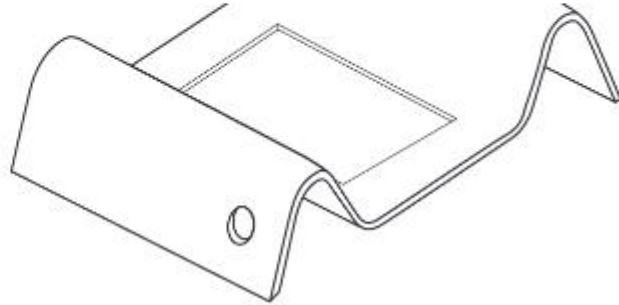
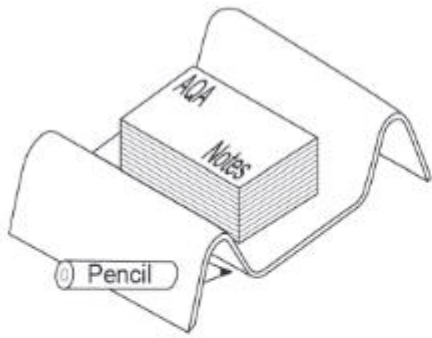
A wooden spice jar holder



2. Choose one of the spice jar holders. Use notes and sketches to show clearly how you would make a batch of ten spice jar racks in a school workshop. At each stage name all the tools, equipment and software you would use. (16)
 - a. Marking out or CAD
 - b. Cutting or shaping or CAM
 - c. Bending or joining
 - d. Applying the surface finish
 - e. Producing the spice jar text



3. Use notes and sketches to show clearly how you would make a batch of ten lamps in a school workshop. At each stage name all the tools, equipment and software you would use. (16)
- Marking out or CAD
 - Cutting and shaping or CAM
 - Show how the base could be joined to the stem
 - Show how the wires could be secured to the back of the switch



4. Choose a material. Use notes and sketches to show clearly how you would make a batch of ten note pad holders in a school workshop. At each stage name all the tools, equipment and software you would use. (16)
- Marking out or CAD
 - Cutting and Shaping or CAM
 - Bending/Forming
 - Finishing
5. Produce a flow chart describing the process of vacuum forming the coffee cup lid shown below (10)



Include the following symbols at the relevant stages.

Flow Arrow



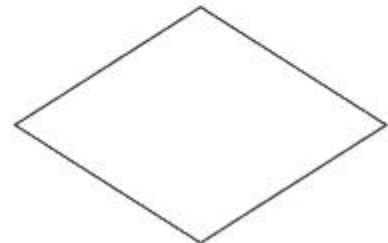
Terminator

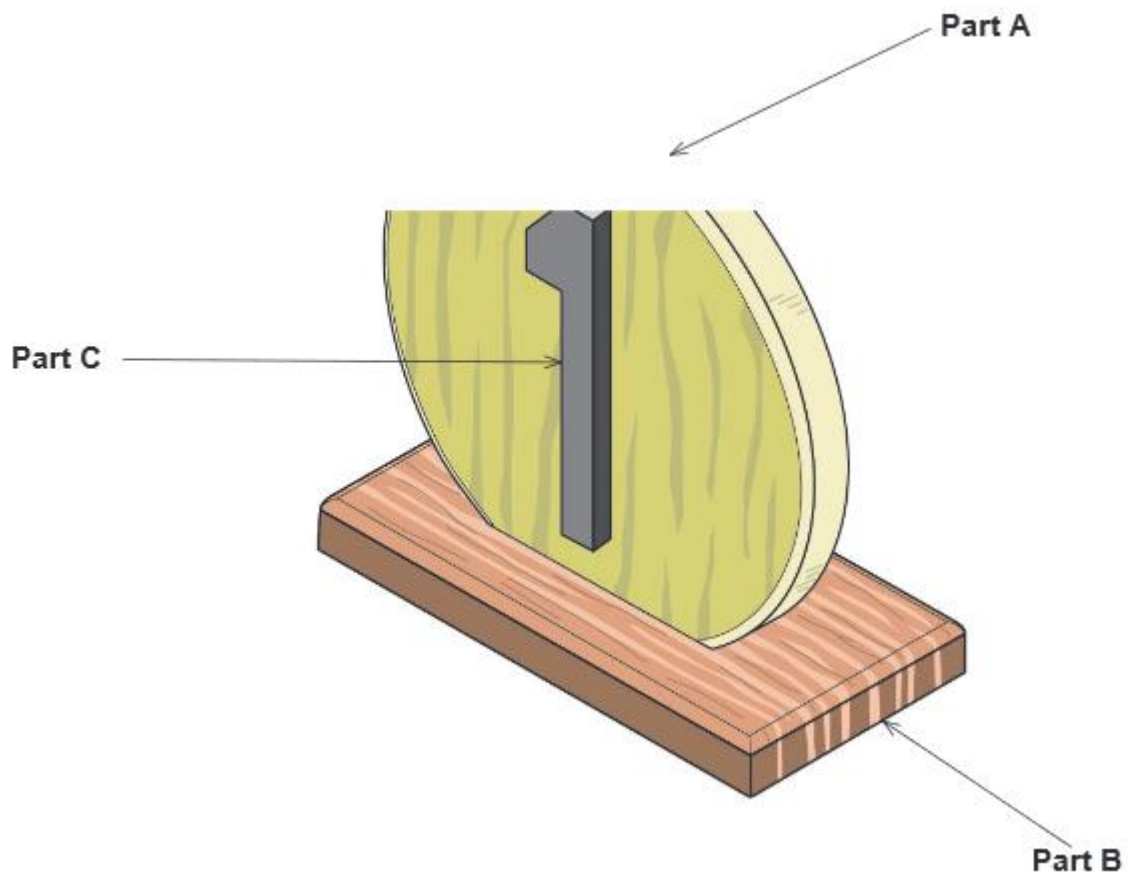


Process

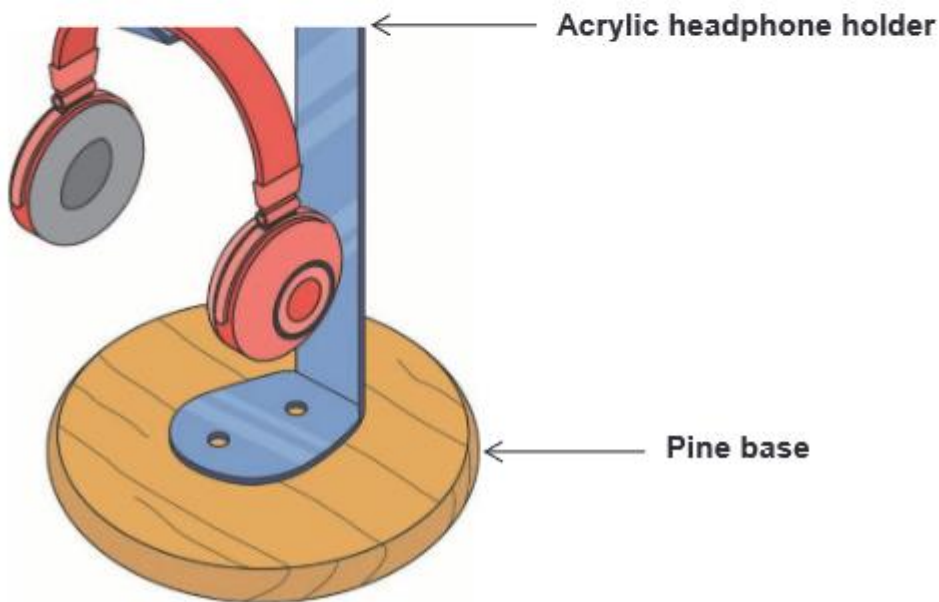
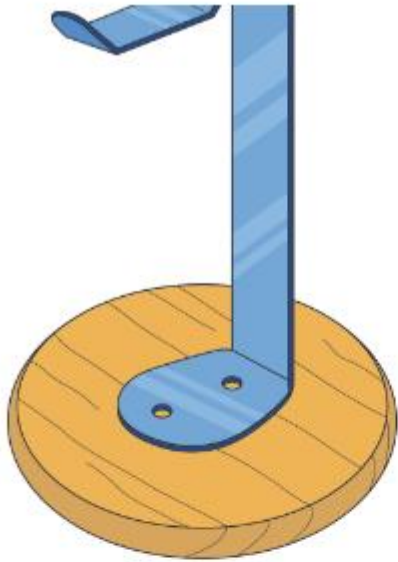


Decision

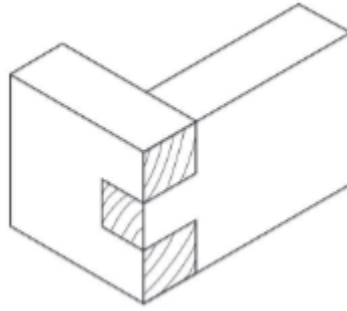




6. Part A and Part B are made from wood and Part C will be made from Cast metal. Use notes and sketches to show clearly how you would make one year 11 inter house football trophy in a school workshop. At each stage name all the tools, equipment and software you would use. (16)
- How to make part A and B
 - How to join part A and B
 - How to produce the mould and cast for Part c



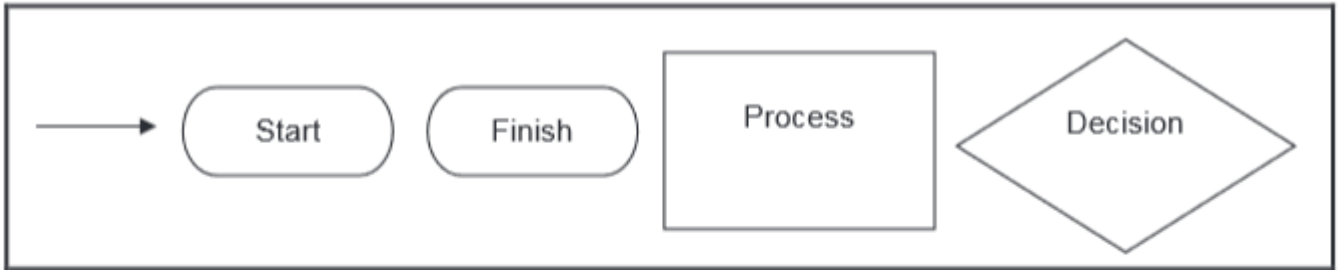
7. Use notes and sketches to show clearly how you would make a batch of ten acrylic headphone holders in a school workshop. At each stage name all the tools, equipment and software you would use. The headphone holder is to be designed and cut using CAD CAM and then bent into shape (9)
 - a. Draw the net/development using CAD
 - b. Cut the shape using CAM
 - c. Produce one bend
8. Use notes and sketches to show clearly how you would make a batch of ten pine bases in a school workshop. At each stage name all the tools, equipment and software you would use. The bases should be made using traditional methods. (9)
 - a. Marking out
 - b. Cutting/Shaping
 - c. Finishing



9. Study the image of the wood joint.

Produce a flow chart to clearly describe the stages in producing the wood joint (8)

Flow chart symbols



Stages in producing a wood joint

